



Epiphany Lutheran Church

Service at 9:30 am

Worshiping at:

6700 Spanish Trail, Pensacola, FL 32504

850-287-5667

Mailing Address:

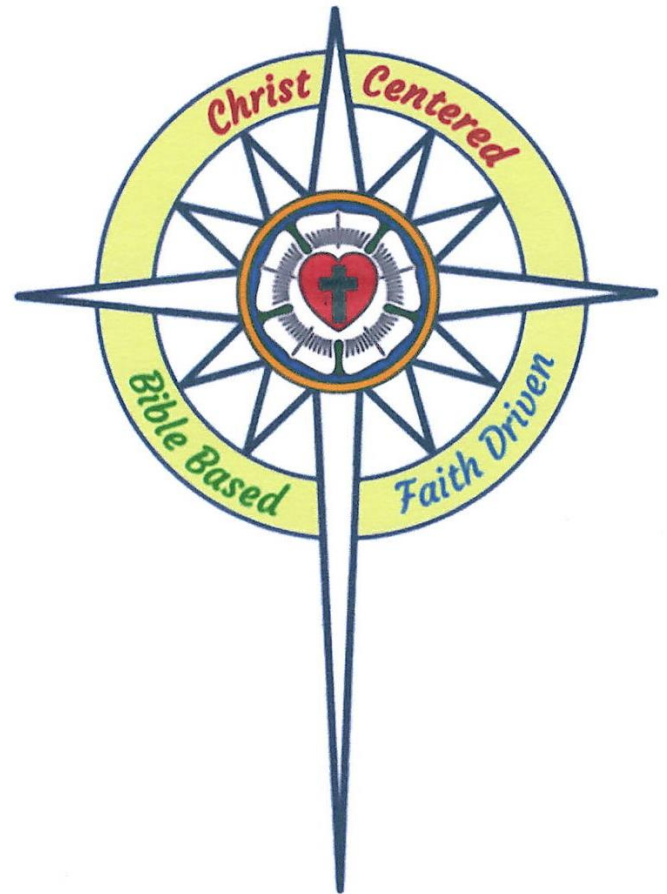
1450 Old Chemstrand Rd.

P.O. Box 999, Gonzalez, Fl 32560

Email: nalcofpensacola@gmail.com

Facebook: Epiphany Lutheran Church-
Pensacola, Fl

Church connect page:
epiphanypns.churchtrac.com



EPIPHANY PENSACOLA

October 2024 Newsletter

A congregation of the NALC

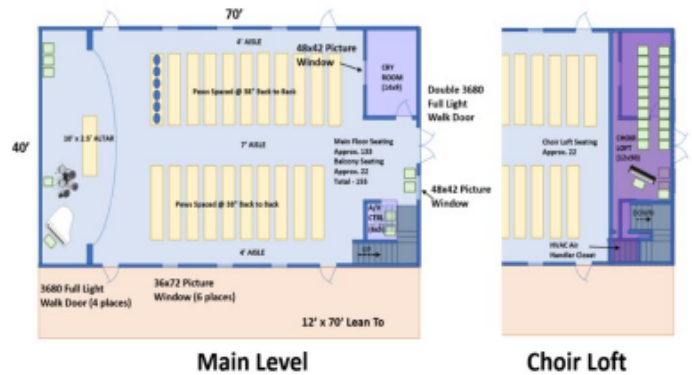


October 2024
Epiphany Pensacola

October 2024
Epiphany Lutheran Church

“Blessing”

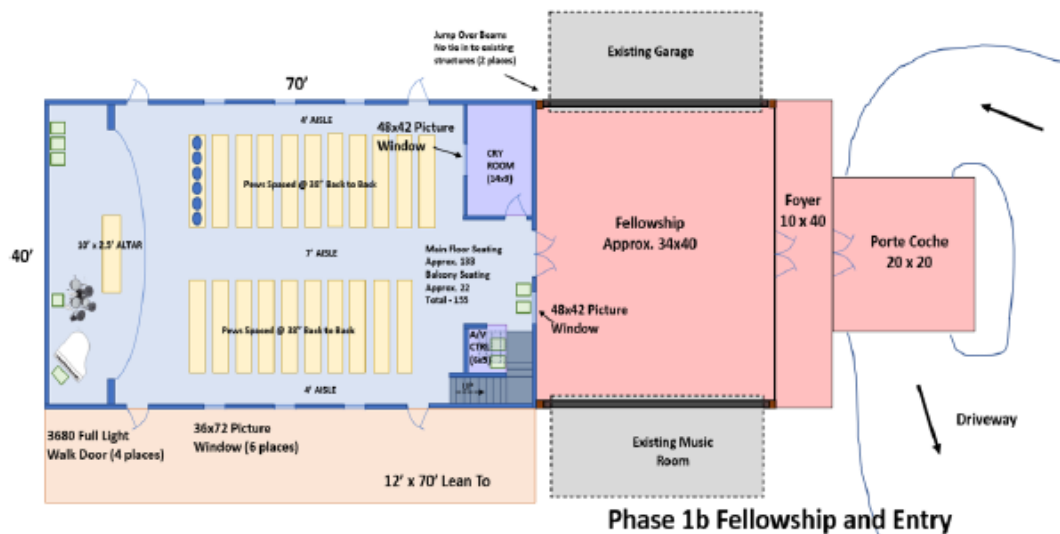
“Be with us now and bless the fruits of those who labor at Epiphany Pensacola to your glory and praise. Grant us faith to know your gracious purpose in all things, give us joy in them and lead us to the building up of your kingdom; through your Son, Jesus Christ our Lord, who lives and reigns with you and the Holy Spirit, one God now and forever” General Order of Blessing, LBW



Brothers and Sisters in Christ,

After almost a year, we are getting ready to begin construction. There are two pieces to this construction that we need to be reminded about. First, the construction for a temporary worship space that would be a multipurpose building changed when we learned of the county regulations. I know you’ve heard the conversations and announcements on several Sundays. But to be sure, I thought it best to put the change in writing to you. The above graphic is what we started with, and the campaign was very positive in raising money for the transition building. That building was 70’ X 40’ at its inception.

After many months and many conversations with the county and builders, we came back to the congregation with the full church concept which was no longer transition building. This will be our permanent house of worship. By completing the entire project, the bills for engineers,



architects, storm water surveying, and county requirements would be a one-time financial obligation. Here’s the complete building from the bathrooms (already finished) to the portico.

The image here is not the final product for the church interior layout.

This image is strictly for showing the change in length to 174’ X 40’.

We had planned to build a transition building with no mortgage. Because we are making this our permanent worship building with the addition of 100 feet of building, we will need to seek financing to complete the worship center as presented over this past year. I know that some of you may be worried, but God has blessed us with NALC partners, faithful and generous friends of the church, and our congregation members who continue to support the building fund. We've received over \$100,000.00 by outside resources for the worship center. That means that \$100K has been donated to Epiphany because people and congregations believe in the mission of God's church here in Pensacola.

I am currently working with the local bank official to secure the mortgage for our worship center. I have reached out to a few friends of the church that have the financial resources to make a personal loan to the church. If you know anyone who would like to have an opportunity to invest in a 5/25-year balloon mortgage, please ask them to contact me. Investors are always looking for a better way to make earnings and interest rates as they are, this is one of those opportunities.

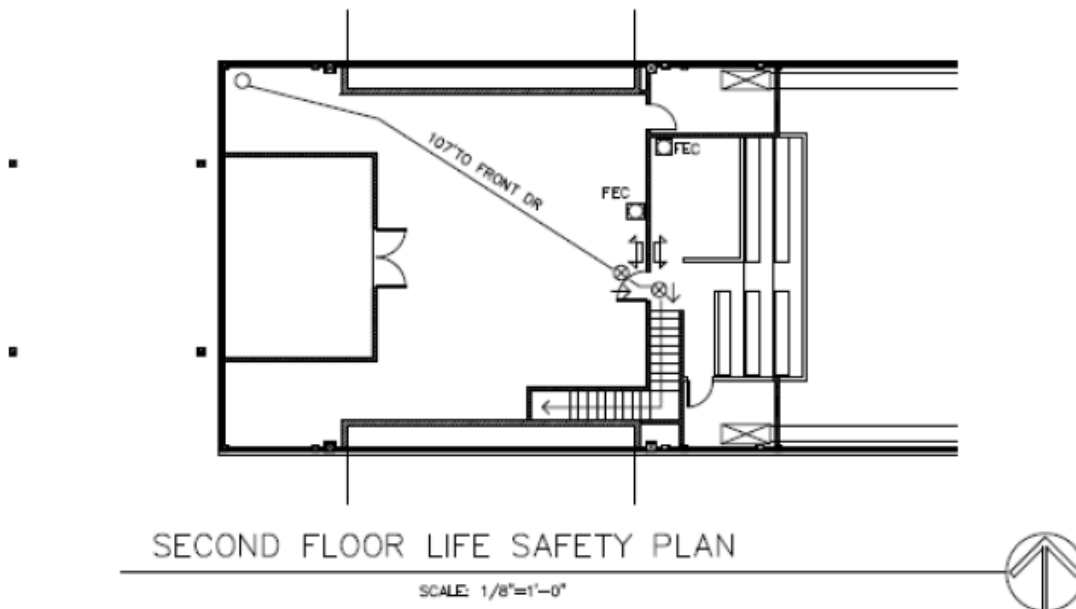
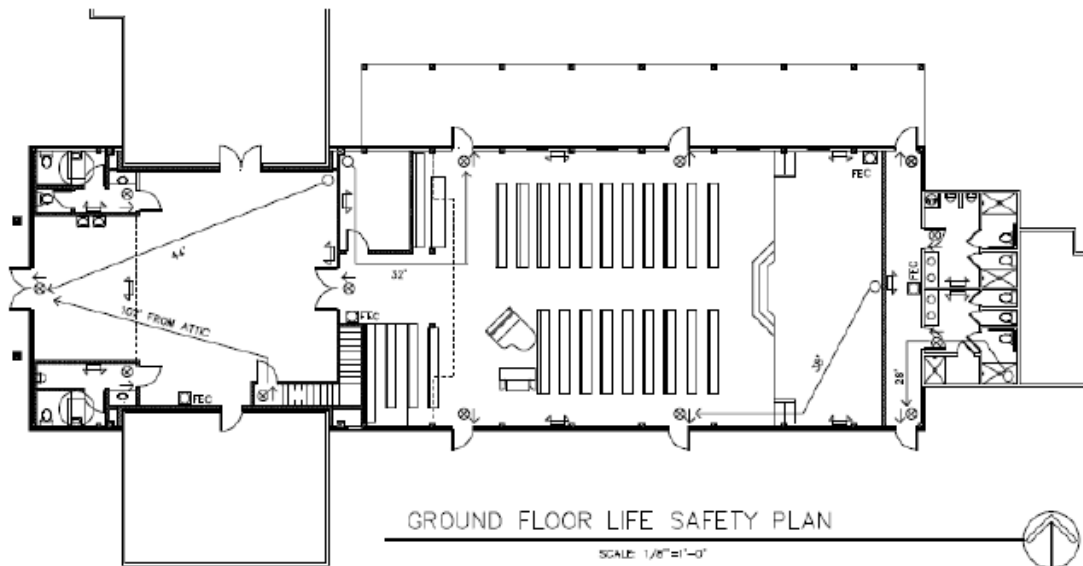
As far as the mortgage amount and final cost for the worship center are concerned, I cannot give you all the details in this letter. The committee and builders are working to finalize the entire project. So, we should have them soon. I look at it this way; if we needed a minimum of \$300K for the smaller building we'll need at least double that to complete it. The added expense of the fire suppression system will add another \$75K to the building. We tried to get a waiver for this system, but it is county code for commercial buildings. I don't fear the additional expense because I trust and have faith that God will continue to help us establish a house of worship here on Ashland.

I will continue to pray for our church and those who support this building program. I know that we've set our vision on the cross. Because we are focused on the mission and ministry led by Christ, our trust is placed in him. We know that once we are moved and have our own worship center, the Spirit will lead others to come and worship. I encourage you to trust and hold onto your faith as we bring to you a vote to approve a loan for completion of the worship center.

"Be with us now and bless the fruits of those who labor at Epiphany Pensacola to your glory and praise. Grant us faith to know your gracious purpose in all things, give us joy in them and lead us to the building up of your kingdom; through your Son, Jesus Christ our Lord, who lives and reigns with you and the Holy Spirit, one God now and forever" General Order of Blessing, LBW

*In His Service,
Rev. Dr. Franklin Gore*

For it is by grace you have been saved, through faith-- and this not from yourselves, it is the gift of God⁹ not by works, so that no one can boast. Ephesians 2:8-9



WALL LEGEND

- EXTERIOR POLE BARN WALL
- 2X4 FRAME WALL
- 2 HOUR FIRE RATED WALL
- EXISTING BLDG WALL
- POLE BARN COLUMN

LIFE SAFETY LEGEND

- EXIT LIGHT
- EXIT LIGHT
- EMERGENCY LIGHT W/ BATTERY PACK
- FEC W/ 2A10 BC EXTINGUISHER
- DISTANCE TO NEAREST EXIT

Income Statement

Printed: 09/24/2024

Between 01/01/2024 and 09/24/2024

INCOME	General Fund	Building Fund	Memorial Fund	Endowment	Other Funds	TOTAL
91000 - General Giving	0.00					0.00
91024 - 2024 General Offerings	249,842.30					249,842.30
92000 - Holiday Offerings						0.00
92100 - Advent Offerings						0.00
92200 - Christmas Eve Offerings						0.00
92300 - Epiphany Offerings	2,535.00					2,535.00
92400 - Ash Wednesday Offerings	1,541.00					1,541.00
92500 - Lenten Offerings	1,250.00					1,250.00
92550 - Lent Coin Box Offerings	619.05					619.05
92600 - Maundy Thursday Offerings	925.00					925.00
92700 - Good Friday Offerings	385.00					385.00
92800 - Easter Offerings						0.00
Restricted Offerings						0.00
Building Fund Offerings		40,975.43			26,624.71	67,600.14
Endowment Fund Offerings				-843.00		-843.00
Endowment Gifts Tithe					1,093.00	1,093.00
Faith Circle Offerings					364.00	364.00
Memorial Fund Offerings			6,620.00			6,620.00
Pastor's Disc. Fund Offerings					1,563.13	1,563.13
Special Projects Offerings						0.00
Staff Appreciation						0.00
WNALC Offerings						0.00
93000 - Other Income						0.00
93100 - Interest and Dividends	924.12					924.12
93200 - Realized Gains and Losses	676.24					676.24
93300 - Thrivent Choice Dollars	682.00					682.00
93400 - Transfer In - Building Maintenance Fund						0.00
93500 - Transfer In - Insurance Fund						0.00
93600 - Other Misc Income	771.43	17.00			2,473.92	3,262.35
93610 - Epiphany T-Shirts	826.70					826.70
94000 - Fundraiser Income						0.00

INCOME	General Fund	Building Fund	Memorial Fund	Endowment	Other Funds	TOTAL
94100 - Fall Festival Income						0.00
94200 - Youth Summer Camp 1						0.00
94300 - Youth Summer Camp 2						0.00
94400 - Farmers Market Income	60.00					60.00
Restricted for Building Fund Savings						0.00
Prior Year Offerings						0.00
2022 General Offerings						0.00
2023 General Offerings	3,281.38					3,281.38
Holiday Offerings						0.00
Advent Offerings						0.00
Ash Wednesday Offerings						0.00
Christmas Day						0.00
Christmas Eve	50.00					50.00
Easter Offerings						0.00
Epiphany Celebration						0.00
Good Friday Offerings						0.00
Lenten Offerings						0.00
Maundy Thursday Offerings						0.00
Other Income						0.00
Interest and Dividends						0.00
Other Misc Income						0.00
Realized Gains and Losses						0.00
Thrivent Choice Dollars						0.00
Fundraiser Income						0.00
Fall Fest Income						0.00
Other Fundraiser Income						0.00
TOTAL INCOME	264,369.22	40,992.43	6,620.00	-843.00	32,118.76	343,257.41

EXPENSE	General Fund	Building Fund	Memorial Fund	Endowment	Other Funds	TOTAL
10000 - Staff Compensation						0.00
11000 - Staff Payroll	-102,495.26					-102,495.26
12000 - Additional Staff Costs	-50,397.68				500.00	-49,897.68
13000 - Workers Compensation Insurance	-32.00					-32.00
14000 - Payroll Services	-2,368.76					-2,368.76
15100 - Guest Pastor						0.00
15200 - Guest Worship Leader						0.00

EXPENSE	General Fund	Building Fund	Memorial Fund	Endowment	Other Funds	TOTAL
15300 - Guest Musicians	-1,500.00					-1,500.00
15400 - Tech/Social Media Manager						0.00
20000 - Facility Expenses						0.00
21100 - Mortgage P & I	-29,745.99				8,633.89	-21,112.10
21200 - Mortgage Principle Supplemental						0.00
21300 - Facility Maintenance Fund	-2,176.68				-947.01	-3,123.69
21400 - Lawn Maintenance	-221.69					-221.69
21500 - Pest Control Services	-47.48					-47.48
21600 - Inspections						0.00
21700 - Cleaning Supplies	-131.44					-131.44
22100 - ECUA Trash Services	-354.60					-354.60
22200 - Water Services	-198.10					-198.10
22300 Florida Power & Light Services	-1,600.42					-1,600.42
23100 - Capital Equipment Replacement Fund						0.00
24100 - General Liability Insurance					-8,480.79	-8,480.79
24200 - Building Insurance Fund	-11,250.00				6,114.08	-5,135.92
24300 - Umbrella Insurance						0.00
25100 - Brit Ahm Rental Fees	-18,600.00					-18,600.00
26100 - Property Assets Expense	-385.03	-1,000.00			-7,846.63	-9,231.66
27100 - Transition Building - Material		-10.42			-813.16	-823.58
27200 - Transition Building - Labor					-3,410.00	-3,410.00
27300 - Transition Building - Contractor		-7,475.00			-8,442.00	-15,917.00
27400 - Transition Building - Permitting		-2,148.17			-151.25	-2,299.42
30000 - Operating Expenses						0.00
31100 - Phone Services	-1,570.88					-1,570.88
31200 - Internet Services	-1,107.45					-1,107.45
32100 - Security System Services						0.00
33100 - Office Supplies	-2,117.81					-2,117.81
33200 - Postage	-591.78					-591.78
34100 - Website (Churchspring)						0.00

EXPENSE	General Fund	Building Fund	Memorial Fund	Endowment	Other Funds	TOTAL
34200 - Website (ChurchTrac)						0.00
34300 - Domain Fees	-20.99					-20.99
34400 - Text-In-Church Service						0.00
34500 - Constant Contact	-114.24					-114.24
34600 - Signage	-820.79					-820.79
35100 - Business Registration	-61.25					-61.25
35200 - Bank Charges	-117.23					-117.23
35300 - On-Line Giving Fees	-609.81	-63.31				-673.12
36100 - CPA Review						0.00
36200 - Annual Audit						0.00
37100 - Copier Lease	-4,285.35					-4,285.35
37200 - Computer Hardware	-930.80					-930.80
37300 - Computer Software	-637.38					-637.38
37400 - Computer Services	-99.00					-99.00
40000 - Worship						0.00
41100 - Piano Tuning						0.00
41200 - Piano Maintenance						0.00
41300 - Instruments (Other)						0.00
41400 - Bells Supplies	-134.00					-134.00
42100 - Traditional Music (Choral, Bell, Children)	-1,326.53					-1,326.53
42200 - Contemporary Music						0.00
42300 - Multimedia Materials	-65.00					-65.00
43100 - Paraments						0.00
43200 - Communion Supplies	-160.89					-160.89
43300 - Banners	-382.95					-382.95
43400 - Flowers	-1,501.77					-1,501.77
43500 - Candles	-142.74					-142.74
43600 - Seasonal Decorations	-89.46					-89.46
44100 - Worship Bulletins	-45.95					-45.95
44200 - Children's Bulletins						0.00
44300 - Children's Activity Bags	-49.94					-49.94
45100 - Song Select (Premuim) Subscription	-226.00					-226.00
45200 - CCLI License	-158.00					-158.00
45300 - CCLI Streaming License	-80.00					-80.00
45400 - Sundays and Seasons						0.00

EXPENSE	General Fund	Building Fund	Memorial Fund	Endowment	Other Funds	TOTAL
45500 Multimedia Subscriptions	-290.00					-290.00
46100 - Pastor Sermon Materials						0.00
46200 - Worship Visual Aids						0.00
47100 - Nursery Supplies						0.00
47200 - Nursery Toys and Learning Materials						0.00
50000 - Ministry/Mission Programs						0.00
51100 - NALC Benevolence	-7,500.00					-7,500.00
51200 - NALC New Start					-1,000.00	-1,000.00
51300 - Mission Grant (Unspecified)						0.00
52100 - Camp Happy Sands	-309.52					-309.52
52200 - Manna Food Pantry	-20.00					-20.00
52300 - Special Puporose Gift - 3						0.00
53100 - Youth Mission Journey						0.00
53200 - Christian Education	-484.09					-484.09
54100 - Adult Bible Study						0.00
54200 - Women's Retreat						0.00
54300 - Men's Fellowship						0.00
54400 - Connect Group Ministry						0.00
55100 - Farmer's Market	-773.11					-773.11
56100 - Summer Music/Drama Camp						0.00
56200 - Summer STEM (Science) Camp						0.00
56300 - Christmas Music/Drama Camp						0.00
57100 - Social Ministry	-93.96					-93.96
57200 - Hospitality	-3,238.86					-3,238.86
57300 - Member Care						0.00
58100 - Epiphany T-Shirt Expenses	-773.00					-773.00
58200 - Fall Festival Expenses	-25.00					-25.00
60000 - Pastor and Lay Leaders						0.00
61100 - NALC Convocation	-425.00					-425.00
61200 - Worship Leader Conference	-1,562.50					-1,562.50
61300 - Church Council Retreat						0.00

EXPENSE	General Fund	Building Fund	Memorial Fund	Endowment	Other Funds	TOTAL
62100 - Handout Materials (Portals of Prayer)	-645.00					-645.00
62200 - Leader Reference Materials/Training	-299.26					-299.26
63100 - Pastor Meetings	-180.26					-180.26
70000 - Uncategorized Expense						0.00
71000 - Legal Expenses	-10,167.00					-10,167.00
72000 - Genral Funds Transfer	-2,009.00				2,009.00	0.00
Restricted Expenses						0.00
Continuing Education Expenses					500.00	500.00
Memorial Fund Expenses			-130.37			-130.37
Pastor's Discretionary Expenses					-1,007.52	-1,007.52
Special Projects Expenses						0.00
WNALC Expenses						0.00
Programs and Outreach						0.00
Christian Education						0.00
Conferences & Retreats						0.00
Evangelism						0.00
Hospitality						0.00
Member Care						0.00
NALC Support						0.00
Quilting Expenses						0.00
Social Ministry						0.00
Stewardship						0.00
Substitute Musicians						0.00
Substitute Worship Leaders						0.00
Worship & Music						0.00
Office Expenses						0.00
Bank Charges						0.00
Certificates						0.00
Computer & Web Expenses						0.00
Corporate Filing Fees						0.00
Misc Office Expense						0.00
Office Equipment Lease						0.00
Office Supplies						0.00
Online Giving Fees	-7.10					-7.10
Printing & Postage						0.00
Reading Materials						0.00
Telephone						0.00

EXPENSE	General Fund	Building Fund	Memorial Fund	Endowment	Other Funds	TOTAL
Property & Facilities Expenses						0.00
Asset Purchases						0.00
Building Improvements						0.00
Building Maintenance & Repairs						0.00
Building Purchase Expenses						0.00
Building Savings						0.00
Building Usage Fees						0.00
Grounds Maintenance						0.00
Janitorial Services						0.00
Janitorial Supplies						0.00
Mortgage Payments						0.00
Property & Liability Insurance						0.00
Utilities						0.00
Staff Salaries & Benefits						0.00
Employer Taxes						0.00
Payroll Provider Fees						0.00
Salary, Wages & Benefits						0.00
Worker's Comp Insurance						0.00
Legal Expenses						0.00
Fundraiser Expenses						0.00
Fall Festival Expenses						0.00
Other Fundraiser Expenses						0.00
TOTAL EXPENSE	-267,755.78	-10,696.90	-130.37	0.00	-14,341.39	-292,924.44
NET POSITION	-3,386.56	30,295.53	6,489.63	-843.00	17,777.37	50,332.97

Sunday	Monday	Tuesday	Wednesday	Thursday	Friday	Saturday
<i>October 2024</i>						
29	30	1	2 4:30p Choir practice 5:30p Confirmation class (Both at Ashland)	3	4 Office closed 3:30p By Grace Praise team practice @Ashland	5
6 TWENTIETH SUNDAY AFTER PENTECOST 9:30a Worship 10:30a Hospitality 10:40a Children's choir 11:00a Children's Ch. Ed. 11:15a Adult Ch. Ed.	7	8 11:00a Faith Circle @ Ashland	9 11:00a Council reports due 4:30p Choir practice 5:30p Confirmation class (Both at Ashland)	10	11 Office closed 3:30p By Grace Praise team practice @Ashland	12
13 TWENTY-FIRST SUNDAY AFTER PENTECOST Mission Sunday 8:30a Manna drop off 9:30a Worship @ Ashland 10:30a Hospitality 11:00a Fall Fest	14	15 6:30p Exec. Committee meeting via Zoom	16 4:30p Choir practice 5:30p Confirmation class (Both at Ashland) NEWSLETTER ARTICLES DUE!	17	18 Office closed 3:30p By Grace Praise team practice @Ashland	19
20 TWENTY-SECOND SUNDAY AFTER PENTECOST 9:30a Worship 10:30a Hospitality 10:40a Children's choir 11:00a Children's Ch. Ed. 11:15a Adult Ch. Ed.	21	22 Noon-S.O.L.E. meets at Ashland	23 4:30p Choir practice 5:30p Confirmation class (Both at Ashland)	24	25 Office closed 3:30p By Grace Praise team practice @Ashland	26
27 REFORMATION SUNDAY 9:30a Worship 10:30a Hospitality 10:40a Children's choir 11:00a Children's Ch. Ed. 11:15a Adult Ch. Ed.	28	29	30 4:30p Choir practice 5:30p Confirmation class (Both at Ashland)	31 5:30p Trunk or Treat @ Ashland		

Admin. hours: Monday -Wednesday, 9 a.m. -3:30 p.m., Thursday, 9a.m. -Noon unless otherwise noted.



DATES TO REMEMBER

Faith Circle

Tuesday, October 8 @ 11:00a

Council reports due

Wednesday, October 9 @ 11:00a

Mission Sunday

Sunday, October 13

Fall Fest

Sunday, October 13 @ 11:00a

Worship at Ashland @9:30 a

(There will not be worship at Brit Ahm this day)

Executive Committee meeting via Zoom

Tuesday, October 15 @ 6:30p

Newsletter articles due

Wednesday, October 16

Trunk or Treat

Thursday, October 31 @ 5:30p @ Ashland

Reformation Sunday

October 27

Wear **RED**



ATTENTION THRIVENT MEMBERS!

Did you know you have FREE MONEY for projects at Epiphany? If you have a policy, no matter the size, with Thrivent you are eligible to do two Action Team projects per year. These projects can be used to increase the ministry of our church. Each project can have \$250.00 used toward the proposed project. All you have to do is go online to Thrivent and fill out the application.

If you need help Brenda Ekstrom, in the church office, can set up an appointment for you to come to the office and help you fill out the application or Deacon Glenn will come to your home and assist you in filling out the grant application

Once again it costs you nothing but a few minutes of your time. And with two annual projects, a total of up to \$500.00 could be used to increase the outreach of Epiphany Church.

Please contact the office and find out how you can expand the mission of Epiphany.

In His Service

Deacon Glenn

***Update:** We've had several members come in and fill out their applications. Make your appointment with Brenda today! Also, Thrivent has sent T-shirts to be given away to anyone who wants one. There are several different sizes. You can pick one up during office hours.

If you have any Choice Dollars to spend, PLEASE DONATE them to the church!

Fall Festival

**Sunday
Oct 13th**

Worship @ Ashland @ 9:30

Scavenger Hunt @ 10:30

Festival begins @ 11:00

Food:

11:00 am - 2:00 pm

Sausage, Hot Dogs, Cole Slaw,
Potato Salad, Chips, Cookies,
Brownies, Popcorn and Drinks

Activities:

Scavenger Hunt, Games, Train
Rides, Face Painting, Raffles, Cake
Walks, Chicken Dance and Line
Dances...AND MORE!



9176 Ashland Ave Pensacola, FL
officemgr@epiphanypensacola.org
(850) 287-5667



Harland and Randy spread out the dirt where the Worship Center will be built and put pallets over the holes for safety.



COMMITTEE NEWS

MUSIC DEPARTMENT

Children's Choir

We were so happy to have the Children's Choir sing in September and they did a great job at learning the music and the hand motions.

The Children's Choir is open to all youth ages Pre-K through High School so please, join us. Practices are on Sunday mornings from 10:40 a.m. until 10:55 a.m. and special practices will be held in December for the Christmas program.



We look forward to playing at the Fall Festival. ByGrace is still looking for a drummer, lead and bass guitar players. If you have any of these gifts or know someone who may be gifted in playing these instruments, please have them contact Donna Busarow.

Traditional Worship

The choir is back and working hard to add to the worship experience here at Epiphany. We've got several new pieces that you've not heard before along with some hymn arrangements for choir, congregation, and instruments. You'll get a full taste of all of it on Reformation Sunday (October 27th). We're super excited to make this a great year of worship and praise using all the gifts God has provided this small but talented congregation. Speaking of talent...I keep hearing it from the pews on Sunday. Maybe you'd like to share that talent in the choir? You know who you are 😊 IYKYK. We'd love to have you join us. We practice on Wednesdays from 4:30pm to 5:30pm at Ashland. Come on out and share your gift.





If singing isn't your gift (and it truly is not for everyone), but you still love music and want to be a part of worship, all you need are two hands and be able to count to four. We'll teach you the rest. The Bell Choir is starting back but we need some ringers. Many of our ringers from last year are also in our choir and while it's great to have them, when we sing an anthem that has a bell accompaniment part, they have to choose between singing and bells. It's really hard to do both and it takes several days for the other singers to stop the ringing in their ears because the person behind them kept ringing it next to their head 😊. Most of the bell pieces we'll do this fall and Advent are accompaniment pieces with the choir and congregation so we need more help. I'm taking names of those interested and then we'll get a consensus on what time works best for practices. You can let me know at church or e-mail me at belldirector@epiphanypensacola.org . Why not give it a try!

Christian Education

As a reminder, Christian Education is open for our K through High School members as well as all adults in our Congregation and their friends. Invite your friends and family to join us!

The K through 5th is exploring many really cool topics including the Ten Commandments and Reformation. They will also have their first Luther Bucks store opportunity so come out and watch their excitement as they spend their Luther Bucks.

The 6 through High School are exploring modern day topics and W.W.J.D. along with learning how to live the Christian walk every day.

We have a Sunday morning opportunity for adults to meet and the class is reviewing Genesis through Revelation with some great study questions to help participants delve deeper into each chapter. Be sure to pick up your copy of the study questions.

Another exciting opportunity for women to participate in a Bible study at 11:00 a.m. at Ashland on the second Tuesday of each month. Please touch base with Wanda Gore or Marlene Copper if you would like to learn more about this opportunity.

Our Confirmands have started their two-year journey in September, and we are excited to see the growth in our members through this experience. Be looking for our Confirmands to participate in the service as lay readers and volunteering in community activities.

Please keep the Christian Education program in prayer so that we can continue serving and making disciples.



FAITH CIRCLE

Faith Circle will meet on October 8 at 11 o'clock. We will be at the Ashland property. Please bring a brown bag lunch and your Bibles. Dessert will be provided by Faye R.

We will continue to explore prophecies from the Old Testament revealed in the New Testament.

All are welcome!



SOLE (SHARING OUR LIVES AT EPIPHANY)

Hey folks, can you believe it? A year has passed since we first started SOLE! I've really enjoyed the time spent planning and having lunch with y'all and especially us getting to know each other a little more. Also, thank you to all that have helped with the setup and clean-up at Ashland!

The next lunch date is Tuesday, October 22nd, noontime at Ashland. Since we are not having a luncheon in November, let's do a Thanksgiving Feast. Plan to bring your favorite Thanksgiving dish and let me know as soon as you can what it will be so the meal selections can be balanced.

Mark your calendars: December 17 at Ashland for a Christmas celebration. If you would like to help plan, please call me.

God Bless, Alice



*"Therefore encourage one another and build one another up, just as you are doing."
1 Thessalonians 5:11*

HOSPITALITY

*For everything there is a season, and a time for every matter
under heaven:*

Ecclesiastes 3:1 NRSV



Happy Fall Y'all



You would never know that the Fall Season is upon us based on the temperature each day. Although we would like it to be a bit cooler, it is really about “God’s Season”!

There is the “Fall Fest” (**October 13**), where the community is invited to participate and witness God’s Hospitality through this Congregation.

Then Reformation Sunday (**October 27**), where we celebrate the history of Lutheranism and Martin Luther. Please remember to wear **RED!**

Last but not least, “Trunk or Treat” (**October 31**), again the community is invited to participate. There will be hot dogs, chips and water served for those “hungry” treat seekers. Plan to join the many who decorate their cars and bring lots of candy!

In all of this, Hospitality is a way we can witness God’s Season! Be welcoming, kind, joyful, but most of all show love! Let your light shine, so others may see Jesus through you and your actions!

We thank everyone who participates, plans and serves each Sunday and all the events at Epiphany. Our Team is truly **BLESSED!**

As always, it is **still** a JOY and HONOR to serve in God’s House at Epiphany!

God’s Peace,
Brenda

TRUNK OR TREAT

Epiphany's 2nd annual Trunk or Treat will take place on Halloween again this year. If you are not familiar with Trunk or Treat, we ask members to park their car and decorate their trunk. It can be Halloween themed or not. *See some of the pictures from last year.

The children visit each trunk for a treat (or a trick)! You may bring your own candy, but we are also asking for candy donations again this year if you prefer to do that rather than decorate your vehicle. You may drop donations off at the office during office hours or bring a bag to church on Sundays.

A church member has received a Thrivent card for the event and we will be able to purchase Hot dogs and chips for those participating as well as the families that bring their children. We will also use it for fliers to pass out to the surrounding neighborhoods, apartments, and businesses.

If you are interested in decorating your trunk, please notify the church office by Thursday, October 24th so we can plan vehicle spacing and food prep.



~CARTOON CORNER~

A couple went for an afternoon drive and stopped for gas on the way. As the man filled the tank, his wife said she couldn't believe it costs money to fill tires nowadays. "Why in the world do they charge for air?" she asked. Her husband quipped, "inflation."

An elderly woman had just returned home from an evening church service when she realized there was an intruder in her home. Seeing that he was in the act of stealing her valuables, the woman yelled, "Stop! Acts 2:38!"

Hearing her, the burglar stopped in his tracks and stood motionless. The woman calmly called the police and explained what was going on.

Later, as an officer cuffed the man, he asked him, "Why did you just stand there? All the woman did was yell a Bible verse at you."

"Bible verse?" the burglar exclaimed. "She said she had an ax and two .38s!"



Grammarly.com: **Funny Friday**



Share your fun content with us every Friday at facebook.com/grammarly



OCTOBER WORSHIP ASSISTANTS

	OCT 6	OCT 13	OCT 20	OCT 27
ASSISTING MINISTERS	Karen McCabe	N/A	Ken Busarow	Wanda Gore
LECTOR(S)	Ron Davis Randy St. Louis	N/A	John Walker JR Lee	Rod Dwyer Steve Meyer
USHERS	John Ekstrom Steve Meyer	Chuck Glassmire Eric Johnson	Eddie Gibbons Harland Bross	Paul Herrick Harland Bross
COMMUNION ASSISTANTS	Audrey Tinsley Judith Lewing	Judy Taylor Dianne Ledkins	Casey McAllister Wanda Gore	John and Brenda Ekstrom
PORTICO GREETERS	Randy St. Louis Betty Bross	Randy St. Louis	Randy St. Louis Faye Robinson	Randy St. Louis Christine Davis
NURSERY ATTENDANT	Ali Baggett	Ali Baggett	Ali Baggett	Ali Baggett
FLOWERS	Carleen Bragan	Marlene Cooper	Harland Bross	Etta McDonald
REFRESHMENTS	TBA	Fall Fest	TBA	TBA
CUP BEARERS	Brooklyn Gorday Eli Baggett	Leighton Marchant Ethan Oomens	Everlynn Harvey John Reitmire	Brooklyn Gorday Eli Baggett

Worship Assistant Scheduling

Brenda Ekstrom is scheduling assistance for Worship each Sunday as she works on the bulletins. The Assisting Ministers will continue to be scheduled by Pastor. Brenda will be in contact with members for availability to serve. If you are willing to serve and/or have scheduling conflicts, please contact Brenda. Also, as Sunday approaches and you discover you cannot serve and cannot switch with someone, please contact Brenda or the office. Thank you!

Ways to Give

CAPITAL CAMPAIGN

One more reminder on the Capital Campaign. We don't have to do it all ourselves. We sent letters to sister congregations asking for their help and we can and should be asking family and friends to help too. It'll take more than just us, and you never know who might be looking for an opportunity to be a part of something greater...until you ask.

We've set up several very simple ways for anyone to give.

<https://epiphanydns.churchtrac.com/> - click on the Building Fund Donate button

<https://donorbox.org/building-fund-capital-campaign>

Scan the QR code below.



Share the link on our Facebook page <https://www.facebook.com/EpiphanyLutheranPensacola/>

or by mail:

Payment should be made to:

Epiphany Lutheran Church (Note: Capital Campaign)

PO Box 999

1450 Old Chemstrand Rd

Gonzalez, FL 32560

Ken Busarow – Treasurer

treasurer@epiphanypensacola.org

PRAYER REQUEST PROCEDURES

All listed on the prayer request will be lifted up in prayer for a period of three weeks at which time the request will be removed unless indicated otherwise. If you wish your request to remain on the prayer list for a longer period of time, please notify the office with that information.

OFFERING TOTAL (YTD)



NEWSLETTER UPDATE

Sara Seevers will be compiling the newsletter. Newsletter articles for November are due October 16. Please send all articles for the next newsletter to Sara at bookkeeper@epiphanypensacola.org by September 18. If you have any questions, please contact the office.

E-MAIL UPDATE**



As part of our Social Media upgrades coming in 2024, we're upgrading our e-mail services for the staff and Church Council at Epiphany. Here are the new e-mail addresses effective January 1, 2024.

STAFF

Pastor	Rev. Dr. Franklin J. Gore	pastor@epiphanypensacola.org
Office Manager	Kim McCormick	officemgr@epiphanypensacola.org
Parish Deacon	Deacon Glenn	deaconglenn@epiphanypensacola.org
Traditional Worship	Ken Busarow	choirdirector@epiphanypensacola.org
Bell Choir	Ken Busarow	belldirector@epiphanypensacola.org
Contemporary Worship	Donna Busarow	contemporaryworship@epiphanypensacola.org
Office Asst.	Brenda Ekstrom	officeasst@epiphanypensacola.org
Off. Asst./Bookkeeper	Sara-Margaret Seevers	bookkeeper@epiphanypensacola.org

CHURCH COUNCIL OFFICERS

President	Pete Morgan	president@epiphanypensacola.org
Vice President	Paul Herrick	vicepresident@epiphanypensacola.org
Secretary	Regina Gibbons	secretary@epiphanypensacola.org
Treasurer	Ken Busarow	treasurer@epiphanypensacola.org
Fin. Secretary	Judie Cox	finsec@epiphanypensacola.org
Co-Fin. Secretary	Valerie Creedon	co-finsec@epiphanypensacola.org

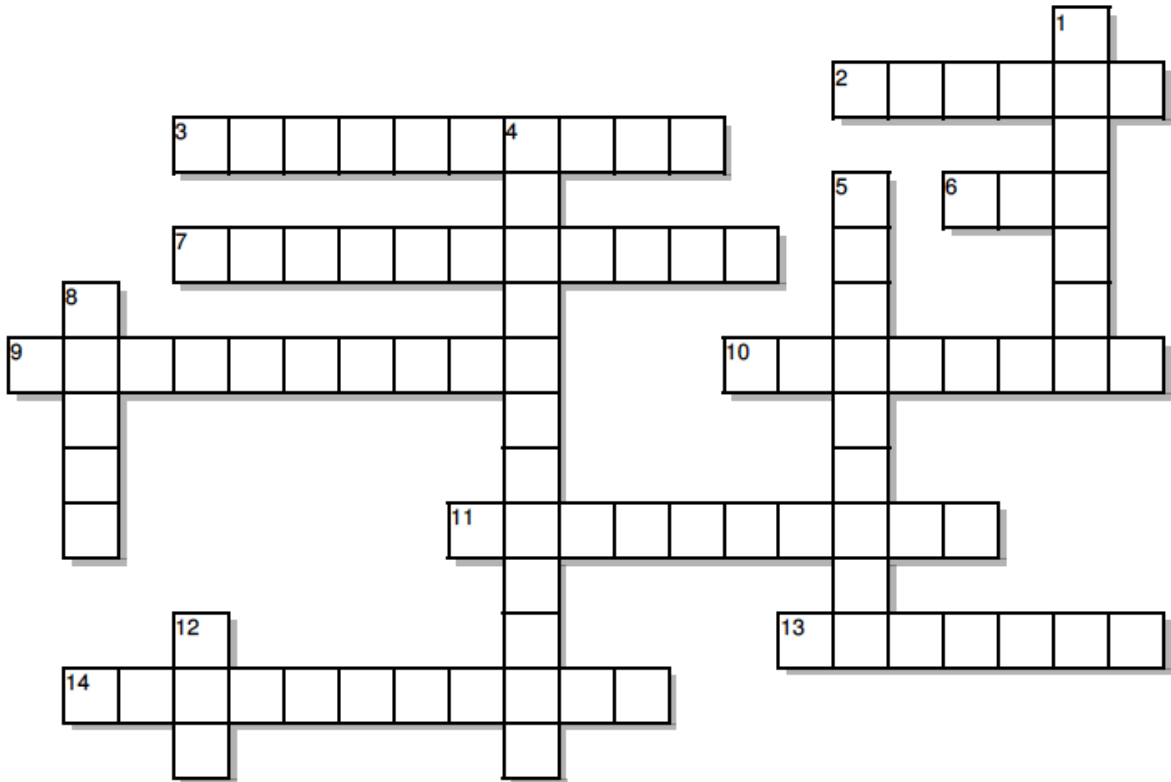
CHURCH COUNCIL MEMBERS

Worship & Music	Kathie Shoff-Norem	worship@epiphanypensacola.org
Social Ministry	Rod Dwyer	socialministry@epiphanypensacola.org
Hospitality	Suzanne Morgan	hospitality@epiphanypensacola.org
Mutual Ministry	Harland Bross	mutualministry@epiphanypensacola.org

Prayer Requests	prayerrequest@epiphanypensacola.org
Tech Support	support@epiphanypensacola.org
Facebook Support	facebook@epiphanypensacola.org

The October Newsletter Crossword Puzzle

You must **READ** the newsletter to find the answers. Bring your completed crossword puzzle to church and hand it in to one of the office staff for a chance to win a **PRIZE!** The winners will be announced in September's newsletter.



ACROSS

- 2 Hospitality is a way for us to witness God's _____
- 3 Adult Christian Ed is reviewing Genesis though _____
- 6 What color do we wear on Reformation Sunday?
- 7 What special Sunday is October 27?
- 9 Faith Circle will continue exploring _____
- 10 What is happening on October 13?
- 11 Children's Choir is for youth ages Pre-K through _____
- 13 ByGrace is still looking for a _____
- 14 What group of young people began their two-year journey in September?

DOWN

- 1 What will be served during Trunk or Treat?
- 4 SOLE's next luncheon will be a _____ Feast?
- 5 If you can count to 4 you can join the _____
- 8 Trunk or _____ is on October 31
- 12 How old is SOLE?